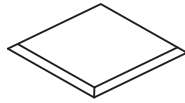
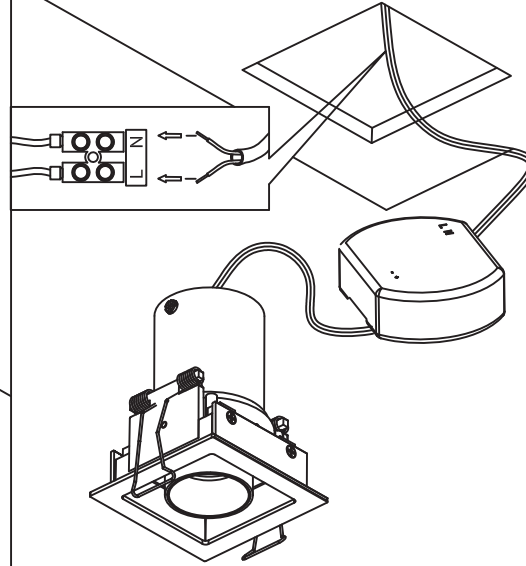


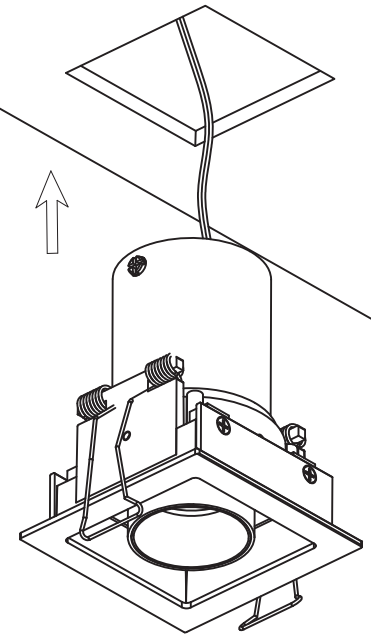
① cutout:68*68mm



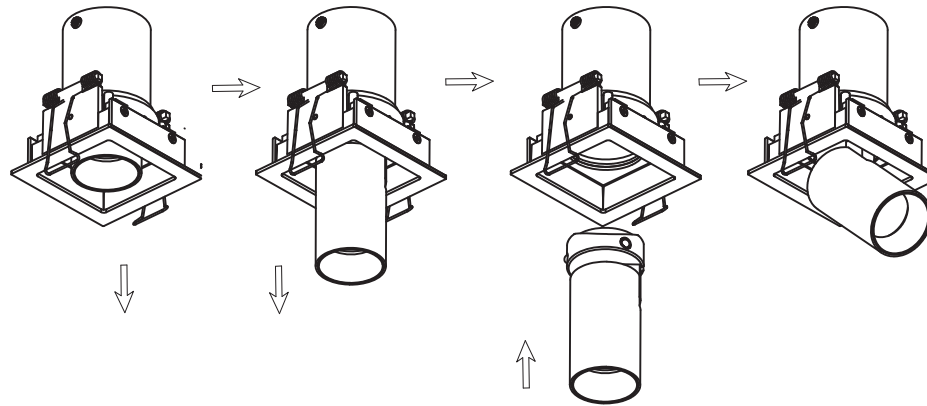
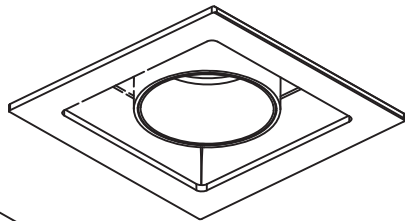
②



③



④



Two gaps must be matched well when you pulling out or putting inside. The spot head can be took down easily for a replacement of driver.

